

Robex

145 LCR-9A

With Tier 4 Interim Engine installed

HYUNDAI HEAVY INDUSTRIES

MOVING YOU FURTHER



 **HYUNDAI**

Specifications R145LCR-9A

ENGINE

MODEL	PERKINS 1204E		
Type	Water cooled, 4 cycle Diesel, 4-Cylinders in line, direct injection, turbocharged, charged air cooled and low emission		
Rated flywheel horse power			
SAE	J1995 (gross)	124 HP (92.7 kW) / 1,950 rpm	
	J1349 (net)	116 HP (87 kW) / 1,950 rpm	
DIN	6271/1 (gross)	126 PS (92.7 kW) / 1,950 rpm	
	6271/1 (net)	118 PS (87 kW) / 1,950 rpm	
Max. torque	54.0 kgf.m (391 lbf.ft) / 1,400 rpm		
Bore x stroke	105 x 127 mm (4.1" x 5.0")		
Piston displacement	4,400 cc (268.5 in ³)		
Batteries	2 x 12 V x 100 AH		
Starting motor	24 V - 4.5 kW		
Alternator	24 V - 85 Amp		

HYDRAULIC SYSTEM

MAIN PUMP	
Type	Variable displacement tandem-axis piston pumps
Max. flow	2 x 123.5 l/min (32.6 US gpm / 27.2 UK gpm)
Sub-pump for pilot circuit	Gear pump
Cross-sensing and fuel saving pump system	
HYDRAULIC MOTORS	
Travel	Two-speed axial pistons motor with brake valve and parking brake
Swing	Axial piston motor with automatic brake
RELIEF VALVE SETTING	
Implement circuits	350 kgf/cm ² (4,980 psi)
Travel	350 kgf/cm ² (4,980 psi)
Power boost (boom, arm, bucket)	380 kgf/cm ² (5,410 psi)
Swing circuit	285 kgf/cm ² (4,050 psi)
Pilot circuit	40 kgf/cm ² (570 psi)
Service valve	Installed

HYDRAULIC CYLINDERS	
No. of cylinder-bore x stroke	Boom: 2-105 x 1,105 mm (4.1" x 43.5")
	Arm: 1-115 x 1,138 mm (4.5" x 44.8")
	Bucket: 1-100 x 840 mm (3.9" x 33.1")
	Blade: 2-100 x 250 mm (3.9" x 9.8")
	2PCS 1st: 2-105 x 995 mm (4.1" x 39.2")
	Boom 2nd: 1-145 x 613 mm (5.7" x 24.1")

DRIVES & BRAKES

Drive method	Fully hydrostatic type
Drive motor	Axial piston motor, in-shoe design
Reduction system	Planetary reduction gear
Max. drawbar pull	13,300 kgf (29,321 lbf)
Max. travel speed (high) / (low)	5.5 km/h (3.4 mph) / 3.3 km/h (2.1 mph)
Gradeability	35° (70 %)
Parking brake	Multi wet disc

CONTROL

Pilot pressure operated joysticks and pedals with detachable lever provide almost effortless and fatigueless operation.

Pilot control	Two joysticks with one safety lever (LH): Swing and arm (RH): Boom and bucket (ISO)
Traveling and steering	Two levers with pedals
Engine throttle	Electric, Dial type

SWING SYSTEM

Swing motor	Two fixed displacement axial pistons motor
Swing reduction	Planetary gear reduction
Swing bearing lubrication	Grease-bathed
Swing brake	Multi wet disc
Swing speed	11.5 rpm

COOLANT & LUBRICANT CAPACITY

Refilling	liter	US gal	UK gal
Fuel tank	232	61.3	51.0
Engine coolant	14.5	2.8	2.3
Engine oil	10.5	4.6	3.8
Swing device	2.5	0.7	0.5
Final drive (each)	2.2	0.6	0.5
Hydraulic system (including tank)	180	47.6	39.6
Hydraulic tank	96	25.4	21.1

UNDERCARRIAGE

The X-leg type center frame is integrally welded with reinforced box-section track frames. The undercarriage includes lubricated rollers, idlers, track adjusters with shock absorbing springs and sprockets, and a track chain with double or triple grouser shoes.

Center frame	X - leg type		
Track frame	Pentagonal box type		
No. of shoes on each side	R145CR-9A	45EA	R145LCR-9A
No. of carrier rollers on each side		1 EA	
No. of track rollers on each side		7 EA	
No. of rail guards on each side		2 EA	

OPERATING WEIGHT (APPROXIMATE)

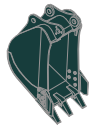
Operating weight, including 4,600 mm (15' 1") boom, 2,500 mm (8' 2") arm, SAE heaped 0.52 m³ (0.68 yd³) bucket, lubricant, coolant, full fuel tank, full hydraulic tank, and all standard equipments.

MAJOR COMPONENT WEIGHT	
Upperstructure	6,950 kg (15,320 lb)
4.6 m (15' 1") mono boom (with arm cylinder)	1,030 kg (2,270 lb)

OPERATING WEIGHT			
Shoes		Operating weight	Ground pressure
Type	Width mm (in)	kg (lb)	kgf/cm ² (psi)
Triple grouser	500 (20")	R145CR-9A	14,600 (32,190) 0.46 (6.54)
		R145CR-9A (Dozer type)	15,400 (33,950) 0.49 (6.97)
		R145LCR-9A	14,785 (32,600) 0.44 (6.26)
		R145LCR-9A (Dozer type)	15,585 (34,360) 0.47 (6.68)
	600 (24")	R145CR-9A	14,790 (32,610) 0.39 (5.55)
		R145CR-9A (Dozer type)	15,610 (34,410) 0.41 (5.83)
		R145LCR-9A	14,980 (33,020) 0.37 (5.26)
		R145LCR-9A (Dozer type)	15,800 (34,830) 0.40 (5.69)
	700 (28")	R145CR-9A	15,020 (33,110) 0.34 (4.83)
		R145CR-9A (Dozer type)	15,840 (34,920) 0.36 (5.12)
		R145LCR-9A	15,215 (33,540) 0.33 (4.69)
		R145LCR-9A (Dozer type)	16,035 (35,350) 0.34 (4.83)

BUCKETS R145LCR-9A

All buckets are welded with high-strength steel.



0.23 (0.30)



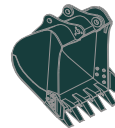
0.40 (0.52)
0.46 (0.60)



0.52 (0.68)
0.58 (0.76)



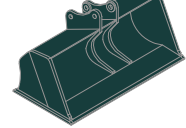
0.65 (0.85)



0.71 (0.93)



● 0.45 (0.59)



★ 0.55 (0.72)

SAE heaped m³ (yd³)

Capacity m ³ (yd ³)		Width mm (in)		Weight kg (lb)	Recommendation m (ft.in)			
SAE heaped	CECE heaped	Without side cutters	With side cutters		4.6 (15' 1") Boom			
					1.9 (6' 3") Arm	2.1 (6' 11") Arm	2.5 (8' 2") Arm	3.0 (9' 10") Arm
0.23 (0.30)	0.20 (0.26)	520 (20.5)	620 (24.4)	335 (740)	●	●	●	■
0.40 (0.52)	0.35 (0.46)	760 (29.9)	860 (33.9)	410 (900)	●	●	●	■
0.46 (0.60)	0.40 (0.52)	850 (33.5)	950 (37.4)	435 (960)	●	●	●	▲
0.52 (0.68)	0.45 (0.59)	935 (36.8)	1,035 (40.8)	460 (1,010)	●	●	●	—
0.58 (0.76)	0.50 (0.65)	1,030 (40.6)	1,130 (44.5)	480 (1,060)	●	●	■	—
0.65 (0.85)	0.55 (0.72)	1,110 (43.7)	1,210 (47.6)	500 (1,100)	■	■	▲	—
0.71 (0.93)	0.60 (0.78)	1,205 (47.4)	-	540 (1,190)	▲	▲	—	—
● 0.45 (0.59)	0.40 (0.52)	1,520 (59.8)	-	410 (900)	●	●	■	—
★ 0.55 (0.72)	0.45 (0.59)	1,800 (70.9)	-	585 (1,290)	■	▲	▲	—

● Ditching bucket

★ Slope finishing bucket

● : Applicable for materials with density of 2,000 kg/m³ (3,370 lb/yd³) or less

■ : Applicable for materials with density of 1,600 kg/m³ (2,700 lb/yd³) or less

▲ : Applicable for materials with density of 1,100 kg/m³ (1,850 lb/yd³) or less

ATTACHMENT R145LCR-9A

Booms and arms are welded, a low-stress, full-box section design.

4.6 m (15' 1") boom and 1.9 m (6' 3"); 2.1 m (6' 11"); 2.5 m (8' 2") & 3.0 m (9' 10") arms are available.

DIGGING FORCE R145LCR-9A

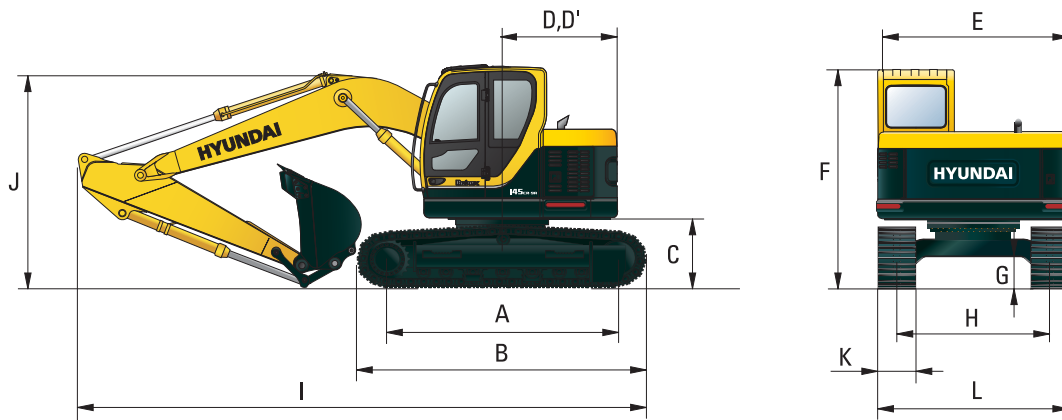
Boom	Length	mm (ft.in)	4,600 (15' 1")				Remarks
	Weight	kg (lb)	1,030 (2,270)				
Arm	Length	mm (ft.in)	1,900 (6' 3")	2,100 (6' 11")	2,500 (8' 2")	3,000 (9' 10")	[]: Power Boost
	Weight	kg (lb)	560 (1,230)	580 (1,280)	610 (1,340)	670 (1,480)	
Bucket digging force	SAE	kN	87.3 [94.8]	87.3 [94.8]	87.3 [94.8]	87.3 [94.8]	
		kgf	8,900 [9,660]	8,900 [9,660]	8,900 [9,660]	8,900 [9,660]	
		lbf	19,620 [21,300]	19,620 [21,300]	19,620 [21,300]	19,620 [21,300]	
	ISO	kN	102 [110.8]	102 [110.8]	102 [110.8]	102 [110.8]	
		kgf	10,400 [11,290]	10,400 [11,290]	10,400 [11,290]	10,400 [11,290]	
		lbf	22,930 [24,890]	22,930 [24,890]	22,930 [24,890]	22,930 [24,890]	
Arm crowd force	SAE	kN	76.5 [83.1]	73.6 [79.9]	62.8 [68.2]	55.9 [60.7]	
		kgf	7,800 [8,470]	7,500 [8,140]	6,400 [6,950]	5,700 [6,190]	
		lbf	17,200 [18,670]	16,530 [17,950]	14,110 [15,320]	12,570 [13,640]	
	ISO	kN	80.4 [87.3]	77.5 [84.1]	65.7 [71.4]	57.9 [62.8]	
		kgf	8,200 [8,900]	7,900 [8,580]	6,700 [7,270]	5,900 [6,410]	
		lbf	18,080 [19,630]	17,420 [18,910]	14,770 [16,040]	13,010 [14,120]	

Note: Boom weight includes arm cylinder, piping and pin

Arm weight includes bucket cylinder, linkage and pin

Dimensions & Working Ranges

DIMENSIONS R145CR-9A



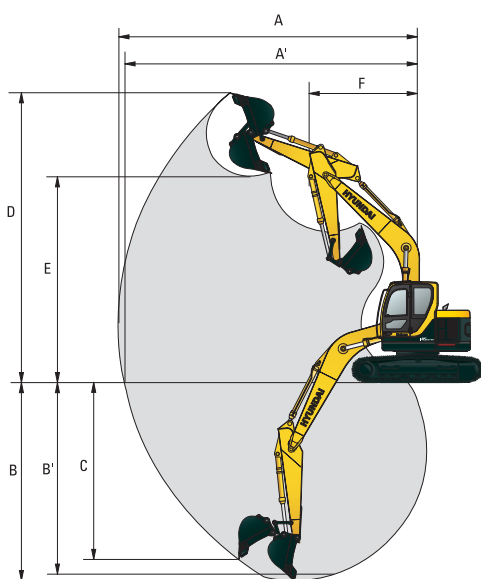
mm (ft · in)

mm (ft · in)

A Tumbler distance	2,910 (9' 7")	Boom length	4,600 (15' 1")			
B Overall length of crawler	3,640 (11' 11")	Arm length	1,900 (6' 3")	2,100 (6' 11")	2,500 (8' 2")	3,000 (9' 10")
C Ground clearance of counterweight	930 (3' 1")	I Overall length	7,290 (23' 11")	7,310 (23' 12")	7,270 (23' 10")	7,210 (23' 8")
D Tail swing radius	1,480 (4' 10")	J Overall height of boom	2,630 (8' 8")	2,710 (8' 11")	2,860 (9' 5")	3,210 (10' 6")
D' Rear-end length	1,480 (4' 10")	K Track shoe width	500 (20")	600 (24")	700 (28")	
E Overall width of upperstructure	2,500 (8' 2")	L Overall width	2,500 (8' 2")	2,600 (8' 6")	2,700 (8' 10")	
F Overall height of cab	2,900 (9' 6")					
G Min. ground clearance	440 (1' 5")					
H Track gauge	2,000 (6' 7")					

WORKING RANGES R145CR-9A

mm (ft · in)



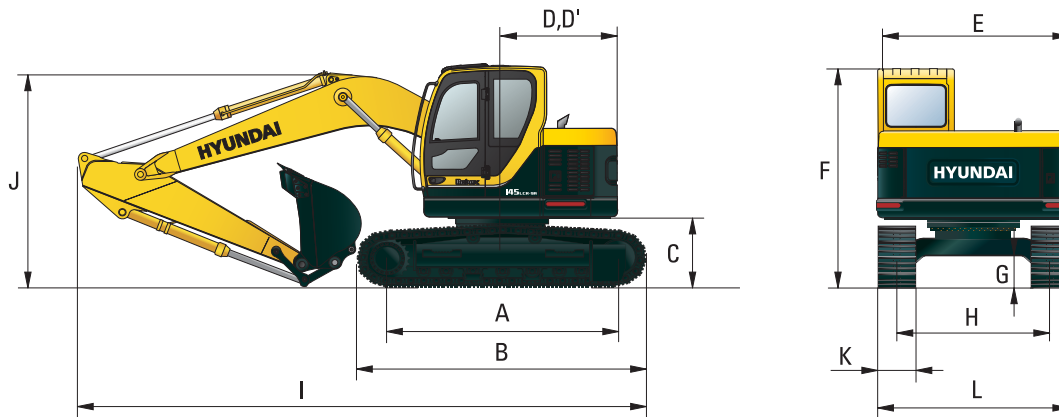
Boom length	4,600 (15' 1")			
Arm length	1,900 (6' 3")	2,100 (6' 11")	2,500 (8' 2")	3,000 (9' 10")
A Max. digging reach	7,730 (25' 4")	7,900 (25' 11")	8,310 (27' 3")	8,770 (28' 9")
A' Max. digging reach on ground	7,580 (24' 10")	7,750 (25' 0")	8,170 (26' 10")	8,630 (28' 4")
B Max. digging depth	4,890 (16' 1")	5,100 (16' 9")	5,500 (18' 1")	5,990 (19' 8")
B' Max. digging depth (8' level)	4,640 (15' 3")	4,870 (16' 0")	5,290 (17' 4")	5,810 (19' 1")
C Max. vertical wall digging depth	4,400 (14' 5")	4,600 (15' 1")	5,000 (16' 5")	5,400 (17' 9")
D Max. digging height	8,840 (29' 0")	8,970 (29' 5")	9,350 (30' 8")	9,730 (31' 11")
E Max. dumping height	6,350 (20' 10")	6,470 (21' 3")	6,850 (22' 6")	7,230 (23' 9")
F Min. front swing radius	1,860 (6' 1")	2,030 (6' 8")	1,980 (6' 6")	2,260 (7' 5")



Dimensions & Working Ranges



DIMENSIONS R145LCR-9A



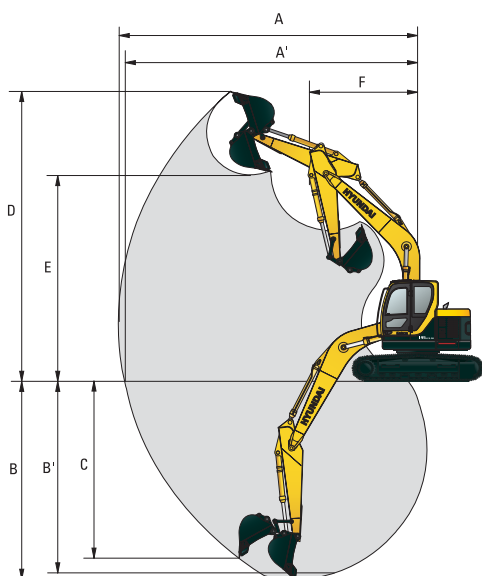
mm (ft · in)

mm (ft · in)

A Tumbler distance	3,090 (10' 2")	Boom length	4,600 (15' 1")			
B Overall length of crawler	3,820 (12' 6")	Arm length	1,900 (6' 3")	2,100 (6' 11")	2,500 (8' 2")	3,000 (9' 10")
C Ground clearance of counterweight	930 (3' 1")	I Overall length	7,380 (24' 3")	7,400 (24' 3")	7,360 (24' 2")	7,300 (23' 11")
D Tail swing radius	1,480 (4' 10")	J Overall height of boom	2,630 (8' 8")	2,710 (8' 11")	2,860 (9' 5")	3,210 (10' 6")
D' Rear-end length	1,480 (4' 10")	K Track shoe width	500 (20")	600 (24")	700 (28")	
E Overall width of upperstructure	2,500 (8' 2")	L Overall width	2,500 (8' 2")	2,600 (8' 6")	2,700 (8' 10")	
F Overall height of cab	2,900 (9' 6")					
G Min. ground clearance	440 (1' 5")					
H Track gauge	2,000 (6' 7")					

WORKING RANGES R145LCR-9A

mm (ft · in)

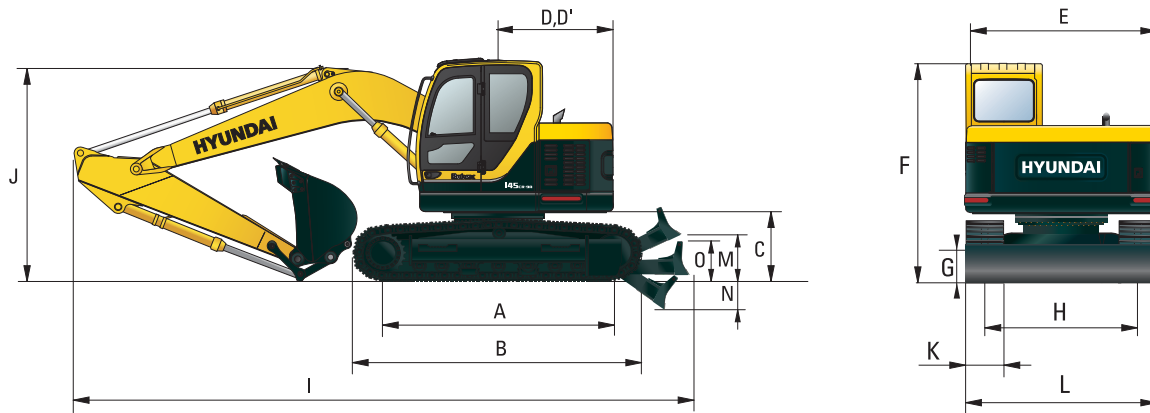


Boom length	4,600 (15' 1")			
Arm length	1,900 (6' 3")	2,100 (6' 11")	2,500 (8' 2")	3,000 (9' 10")
A Max. digging reach	7,730 (25' 4")	7,900 (25' 11")	8,310 (27' 3")	8,770 (28' 9")
A' Max. digging reach on ground	7,580 (24' 10")	7,750 (25' 0")	8,170 (26' 10")	8,630 (28' 4")
B Max. digging depth	4,890 (16' 1")	5,100 (16' 9")	5,500 (18' 1")	5,990 (19' 8")
B' Max. digging depth (8' level)	4,640 (15' 3")	4,870 (16' 0")	5,290 (17' 4")	5,810 (19' 1")
C Max. vertical wall digging depth	4,400 (14' 5")	4,600 (15' 1")	5,000 (16' 5")	5,400 (17' 9")
D Max. digging height	8,840 (29' 0")	8,970 (29' 5")	9,350 (30' 8")	9,730 (31' 11")
E Max. dumping height	6,350 (20' 10")	6,470 (21' 3")	6,850 (22' 6")	7,230 (23' 9")
F Min. front swing radius	1,860 (6' 1")	2,030 (6' 8")	1,980 (6' 6")	2,260 (7' 5")



Dimensions & Working Ranges

DIMENSIONS R145CR-9A (DOZER TYPE)



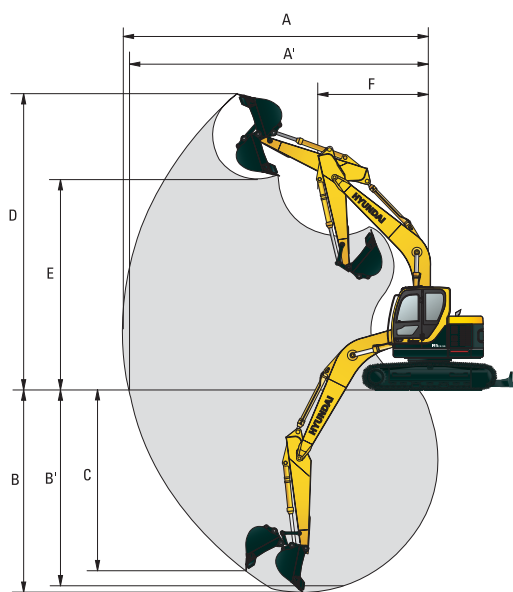
mm (ft · in)

mm (ft · in)

A Tumbler distance	2,910 (9' 7")	Boom length 4,600 (15' 1")		
B Overall length of crawler	3,640 (11' 11")	Arm length	1,900 (6' 3")	2,100 (6' 11")
C Ground clearance of counterweight	930 (3' 1")		2,500 (8' 2")	3,000 (9' 10")
D Tail swing radius	1,480 (4' 10")	I Overall length	7,840 (25' 9")	7,860 (25' 9")
D' Rear-end length	1,480 (4' 10")		7,820 (25' 8")	7,760 (25' 6")
E Overall width of upperstructure	2,500 (8' 2")	J Overall height of boom	2,630 (8' 8")	2,710 (8' 11")
F Overall height of cab	2,900 (9' 6")		2,860 (9' 5")	3,210 (10' 6")
G Min. ground clearance	440 (1' 5")	K Track shoe width	500 (20")	600 (24")
H Track gauge	2,000 (6' 7")		700 (28")	
M Ground clearance of blade up	420 (1' 8")	L Overall width	2,500 (8' 2")	2,600 (8' 6")
N Depth of blade down	430 (1' 6")		2,700 (8' 10")	
O Height of blade	575 (1' 8")			

WORKING RANGES R145CR-9A (DOZER TYPE)

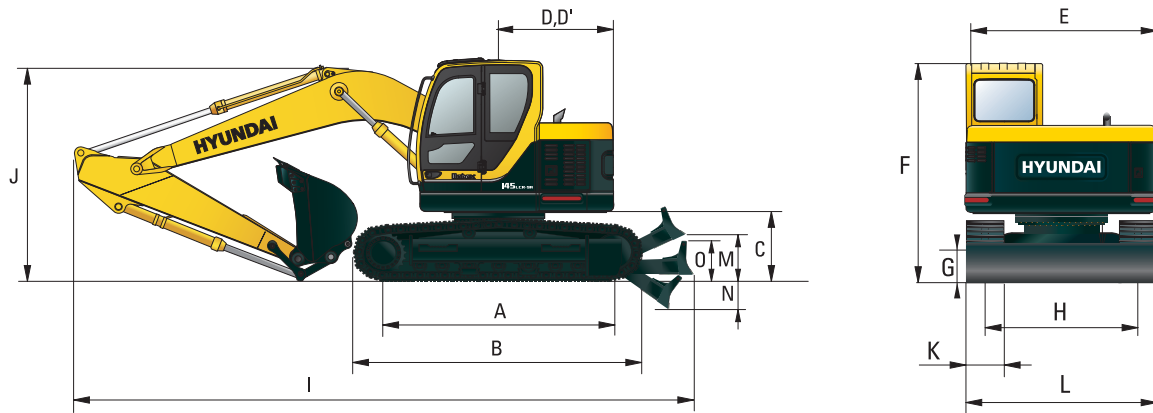
mm (ft · in)



Boom length	4,600 (15' 1")			
Arm length	1,900 (6' 3")	2,100 (6' 11")	2,500 (8' 2")	3,000 (9' 10")
A Max. digging reach	7,730 (25' 4")	7,900 (25' 11")	8,310 (27' 3")	8,770 (28' 9")
A' Max. digging reach on ground	7,580 (24' 10")	7,750 (25' 0")	8,170 (26' 10")	8,630 (28' 4")
B Max. digging depth	4,890 (16' 1")	5,100 (16' 9")	5,500 (18' 1")	5,990 (19' 8")
B' Max. digging depth (8' level)	4,640 (15' 3")	4,870 (16' 0")	5,290 (17' 4")	5,810 (19' 1")
C Max. vertical wall digging depth	4,400 (14' 5")	4,600 (15' 1")	5,000 (16' 5")	5,400 (17' 9")
D Max. digging height	8,840 (29' 0")	8,970 (29' 5")	9,350 (30' 8")	9,730 (31' 11")
E Max. dumping height	6,350 (20' 10")	6,470 (21' 3")	6,850 (22' 6")	7,230 (23' 9")
F Min. front swing radius	1,860 (6' 1")	2,030 (6' 8")	1,980 (6' 6")	2,260 (7' 5")

Dimensions & Working Ranges

DIMENSIONS R145LCR-9A (DOZER TYPE)



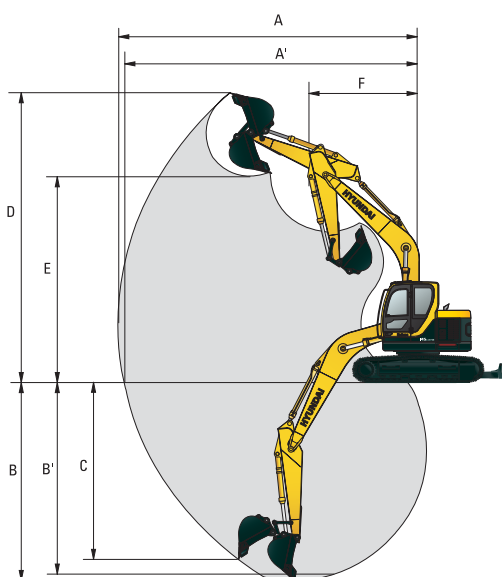
mm (ft · in)

mm (ft · in)

A Tumbler distance	3,090 (10' 2")	Boom length	4,600 (15' 1")			
B Overall length of crawler	3,820 (12' 6")	Arm length	1,900 (6' 3")	2,100 (6' 11")	2,500 (8' 2")	3,000 (9' 10")
C Ground clearance of counterweight	930 (3' 1")	I Overall length	7,840 (25' 9")	7,860 (25' 9")	7,820 (25' 8")	7,760 (25' 6")
D Tail swing radius	1,480 (4' 10")	J Overall height of boom	2,630 (8' 8")	2,710 (8' 11")	2,860 (9' 5")	3,210 (10' 6")
D' Rear-end length	1,480 (4' 10")	K Track shoe width	500 (20")	600 (24")	700 (28")	
E Overall width of upperstructure	2,500 (8' 2")	L Overall width	2,500 (8' 2")	2,600 (8' 6")	2,700 (8' 10")	
F Overall height of cab	2,900 (9' 6")					
G Min. ground clearance	440 (1' 5")					
H Track gauge	2,000 (6' 7")					
M Ground clearance of blade up	420 (1' 8")					
N Depth of blade down	430 (1' 6")					
O Height of blade	575 (1' 8")					

WORKING RANGES R145LCR-9A (DOZER TYPE)

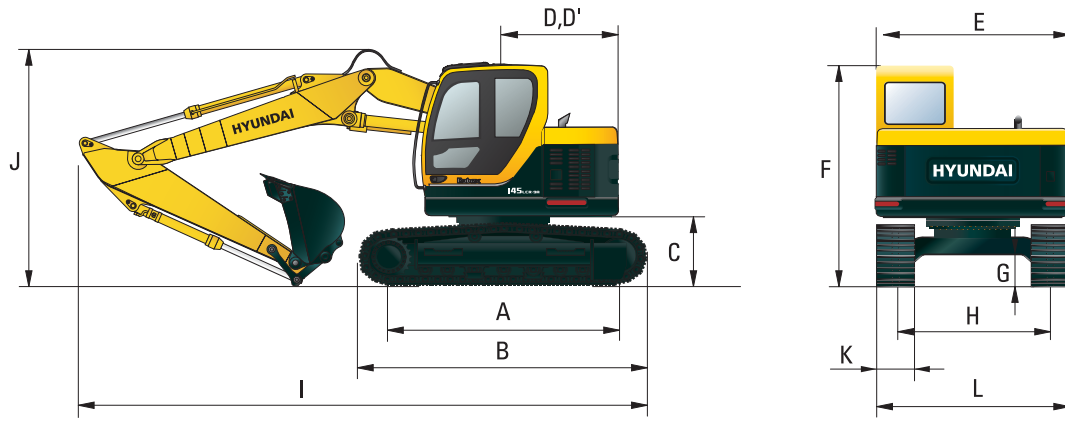
mm (ft · in)



Boom length	4,600 (15' 1")			
Arm length	1,900 (6' 3")	2,100 (6' 11")	2,500 (8' 2")	3,000 (9' 10")
A Max. digging reach	7,730 (25' 4")	7,900 (25' 11")	8,310 (27' 3")	8,770 (28' 9")
A' Max. digging reach on ground	7,580 (24' 10")	7,750 (25' 0")	8,170 (26' 10")	8,630 (28' 4")
B Max. digging depth	4,890 (16' 1")	5,100 (16' 9")	5,500 (18' 1")	5,990 (19' 8")
B' Max. digging depth (8' level)	4,640 (15' 3")	4,870 (16' 0")	5,290 (17' 4")	5,810 (19' 1")
C Max. vertical wall digging depth	4,400 (14' 5")	4,600 (15' 1")	5,000 (16' 5")	5,400 (17' 9")
D Max. digging height	8,840 (29' 0")	8,970 (29' 5")	9,350 (30' 8")	9,730 (31' 11")
E Max. dumping height	6,350 (20' 10")	6,470 (21' 3")	6,850 (22' 6")	7,230 (23' 9")
F Min. front swing radius	1,860 (6' 1")	2,030 (6' 8")	1,980 (6' 6")	2,260 (7' 5")

Dimensions & Working Ranges

DIMENSIONS R145LCR-9A ADJUSTABLE BOOM



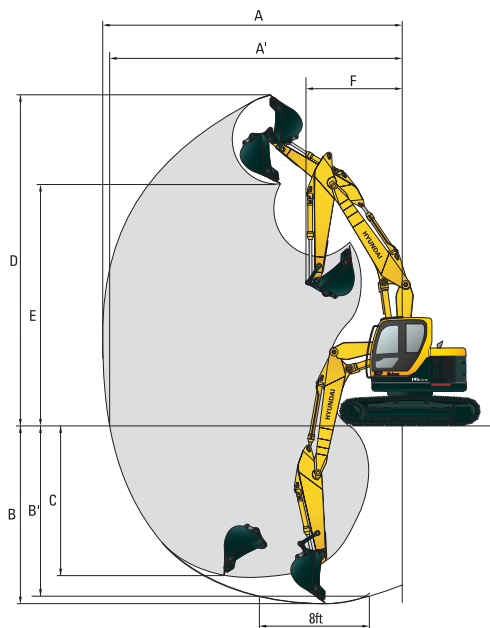
mm (ft · in)

mm (ft · in)

A Tumbler distance	2,910 (9' 7")	Boom length	4,900 (16' 1")	
B Overall length of crawler	3,640 (11' 11")	Arm length	2,100 (6' 11")	2,500 (8' 2")
C Ground clearance of counterweight	930 (3' 1")	I Overall length	7,720 (25' 4")	7,690 (25' 3")
D Tail swing radius	1,480 (4' 10")	J Overall height of boom	2,870 (9' 5")	2,900 (9' 6")
D' Rear-end length	1,480 (4' 10")	K Track shoe width	500 (20")	600 (24")
E Overall width of upperstructure	2,500 (8' 2")			700 (28")
F Overall height of cab	2,900 (9' 6")	L Overall width	2,500 (8' 2")	2,600 (8' 6")
G Min. ground clearance	440 (1' 5")			2,700 (8' 10")
H Track gauge	2,000 (6' 7")			

WORKING RANGES R145LCR-9A ADJUSTABLE BOOM

mm (ft · in)



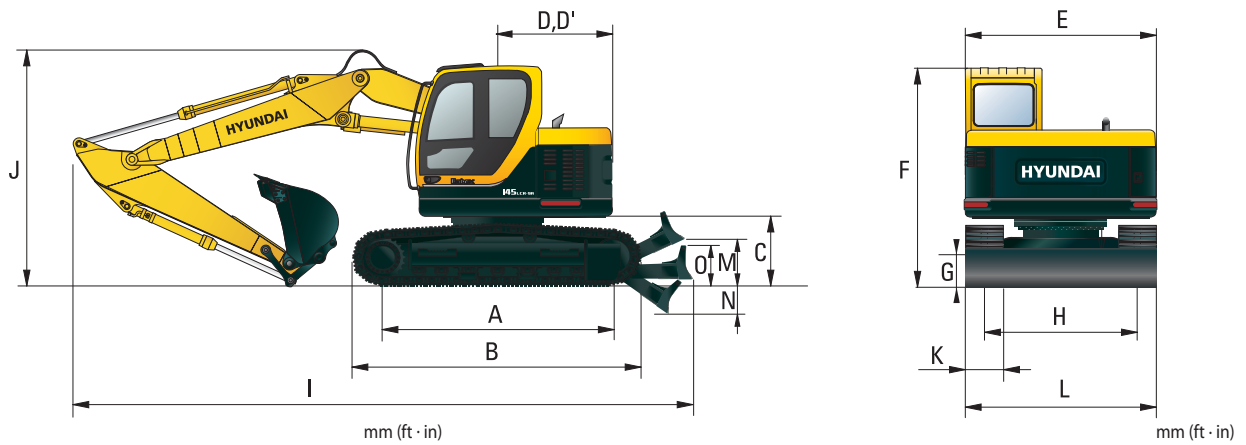
Boom length	4,900 (16' 1")	
Arm length	2,100 (6' 11")	2,500 (8' 2")
A Max. digging reach	8,270 (27' 2")	8,675 (28' 6")
A' Max. digging reach on ground	8,130 (26' 8")	8,540 (28' 0")
B Max. digging depth	5,175 (16' 12")	5,580 (18' 4")
B' Max. digging depth (8' level)	5,060 (16' 7")	5,470 (17' 11")
C Max. vertical wall digging depth	4,555 (14' 11")	5,015 (16' 5")
D Max. digging height	9,340 (30' 8")	9,715 (31' 10")
E Max. dumping height	6,850 (22' 6")	7,230 (23' 9")
F Min. front swing radius	2,300 (7' 7")	2,250 (7' 5")



Dimensions & Working Ranges



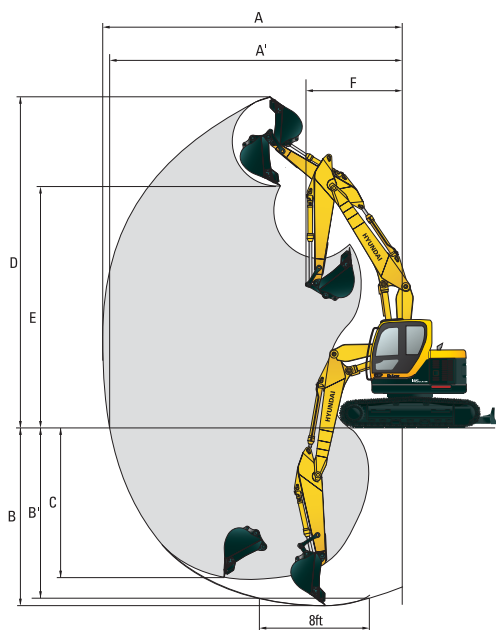
DIMENSIONS R145LCR-9A ADJUSTABLE BOOM (DOZER TYPE)



A Tumbler distance	2,910 (9' 7")	Boom length		4,900 (16' 1")	
B Overall length of crawler	3,640 (11' 11")	Arm length	2,100 (6' 11")	2,500 (8' 2")	
C Ground clearance of counterweight	930 (3' 1")	I Overall length	8,180 (26' 10")	8,150 (26' 9")	
D Tail swing radius	1,480 (4' 10")	J Overall height of boom	2,870 (9' 5")	2,900 (9' 6")	
D' Rear-end length	1,480 (4' 10")	K Track shoe width	500 (20")	600 (24")	700 (28")
E Overall width of upperstructure	2,500 (8' 2")	L Overall width	2,500 (8' 2")	2,600 (8' 6")	2,700 (8' 10")
F Overall height of cab	2,900 (9' 6")				
G Min. ground clearance	440 (1' 5")				
H Track gauge	2,000 (6' 7")				
M Ground clearance of blade up	420 (1' 8")				
N Depth of blade down	430 (1' 6")				
O Height of blade	575 (1' 8")				

WORKING RANGES R145LCR-9A ADJUSTABLE BOOM (DOZER TYPE)

mm (ft · in)



Boom length	4,900 (16' 1")	
Arm length	2,100 (6' 11")	2,500 (8' 2")
A Max. digging reach	8,270 (27' 2")	8,675 (28' 6")
A' Max. digging reach on ground	8,130 (26' 8")	8,540 (28' 0")
B Max. digging depth	5,175 (16' 12")	5,580 (18' 4")
B' Max. digging depth (8' level)	5,060 (16' 7")	5,470 (17' 11")
C Max. vertical wall digging depth	4,555 (14' 11")	5,015 (16' 5")
D Max. digging height	9,340 (30' 8")	9,715 (31' 10")
E Max. dumping height	6,850 (22' 6")	7,230 (23' 9")
F Min. front swing radius	2,300 (7' 7")	2,250 (7' 5")



Lifting Capacities

R145CR-9A

Rating over-front Rating over-side or 360 degrees

Boom : 4.6 m (15' 1") / Arm : 1.9 m (6' 3") / Bucket : 0.52 m³ (0.68 yd³) SAE heaped / Shoe : 500 mm (20") triple grouser

Load point height m (ft)	Load radius								At max. reach			
	1.5 m (5 ft)		3.0 m (10 ft)		4.5 m (15 ft)		6.0 m (20 ft)		Capacity		Reach m (ft)	
6.0 m (20 ft)	kg					*3270	*3270			3360	2130	5.75
	lb					*7210	*7210			7410	4700	(18.9)
4.5 m (15 ft)	kg			*4960	*4960	*4310	3250			2500	1550	6.73
	lb			*10930	*10930	*9500	7170			5510	3420	(22.1)
3.0 m (10 ft)	kg			*7230	5970	4900	3050	2980	1850	2170	1310	7.22
	lb			*15940	13160	10800	6720	6570	4080	4780	2890	(23.7)
1.5 m (5 ft)	kg			*9120	5220	4620	2800	2880	1750	2070	1230	7.32
	lb			*20110	11510	10190	6170	6350	3860	4560	2710	(24.0)
Ground Line	kg			*8610	4970	4430	2640	2800	1680	2170	1290	7.06
	lb			*18980	10960	9770	5820	6170	3700	4780	2840	(23.2)
-1.5 m (-5 ft)	kg	*6830	*6830	*8140	4970	4370	2580			2560	1540	6.40
	lb	*15060	*15060	*17950	10960	9630	5690			5640	3400	(21.0)
-3.0 m (-10 ft)	kg			*6010	5100	*4100	2650			*2250	*2250	5.12
	lb			*13250	11240	*9040	5840			*4960	*4960	(16.8)

Boom : 4.6 m (15' 1") / Arm : 2.1 m (6' 11") / Bucket : 0.52 m³ (0.68 yd³) SAE heaped / Shoe : 500 mm (20") triple grouser

Load point height m (ft)	Load radius								At max. reach			
	1.5 m (5 ft)		3.0 m (10 ft)		4.5 m (15 ft)		6.0 m (20 ft)		Capacity		Reach m (ft)	
6.0 m (20 ft)	kg					*3440	3330			3160	2000	5.98
	lb					*7580	7340			6970	4410	(19.6)
4.5 m (15 ft)	kg			*4390	*4390	*4140	3270	*2560	1910	2390	1470	6.92
	lb			*9680	*9680	*9130	7210	*5640	4210	5270	3240	(22.7)
3.0 m (10 ft)	kg			*6870	6040	*4840	3060	2990	1850	2080	1240	7.39
	lb			*15150	13320	*10670	6750	6590	4080	4590	2730	(24.2)
1.5 m (5 ft)	kg			*9010	5260	4620	2800	2880	1750	1980	1170	7.49
	lb			*19860	11600	10190	6170	6350	3860	4370	2580	(24.6)
Ground Line	kg			*8870	4940	4410	2610	2780	1660	2070	1220	7.24
	lb			*19550	10890	9720	5750	6130	3660	4560	2690	(23.8)
-1.5 m (-5 ft)	kg	*6560	*6560	*8340	4900	4330	2550	2750	1630	2410	1440	6.60
	lb	*14460	*14460	*18390	10800	9550	5620	6060	3590	5310	3170	(21.7)
-3.0 m (-10 ft)	kg	*9060	*9060	*6360	5020	*4350	2600			*2390	2070	5.38
	lb	*19970	*19970	*14020	11070	*9590	5730			*5270	4560	(17.7)

Boom : 4.6 m (15' 1") / Arm : 2.5 m (8' 2") / Bucket : 0.52 m³ (0.68 yd³) SAE heaped / Shoe : 500 mm (20") triple grouser

Load point height m (ft)	Load radius								At max. reach			
	1.5 m (5 ft)		3.0 m (10 ft)		4.5 m (15 ft)		6.0 m (20 ft)		Capacity		Reach m (ft)	
6.0 m (20 ft)	kg					*2960	*2960			2710	1700	6.50
	lb					*6530	*6530			5970	3750	(21.3)
4.5 m (15 ft)	kg					*3460	3310	*2670	1930	2120	1280	7.37
	lb					*7630	7300	*5890	4250	4670	2820	(24.2)
3.0 m (10 ft)	kg			*6090	*6090	*4480	3090	2990	1850	1870	1090	7.81
	lb			*13430	*13430	*9880	6810	6590	4080	4120	2400	(25.6)
1.5 m (5 ft)	kg			*8480	5380	4640	2810	2870	1730	1780	1030	7.90
	lb			*18700	11860	10230	6190	6330	3810	3920	2270	(25.9)
Ground Line	kg			*9050	4920	4390	2590	2750	1630	1850	1060	7.67
	lb			*19950	10850	9680	5710	6060	3590	4080	2340	(25.2)
-1.5 m (-5 ft)	kg	*5850	*5850	*8700	4820	4280	2490	2700	1580	2120	1240	7.07
	lb	*12900	*12900	*19180	10630	9440	5490	5950	3480	4670	2730	(23.2)
-3.0 m (-10 ft)	kg	*8930	*8930	*7030	4900	4300	2510			*2400	1700	5.97
	lb	*19690	*19690	*15500	10800	9480	5530			*5290	3750	(19.6)
-4.5 m (-15 ft)	kg			*3750	*3750							
	lb			*8270	*8270							

Boom : 4.6 m (15' 1") / Arm : 3.0 m (9' 10") / Bucket : 0.52 m³ (0.68 yd³) SAE heaped / Shoe : 500 mm (20") triple grouser

Load point height m (ft)	Load radius										At max. reach			
	1.5 m (5 ft)		3.0 m (10 ft)		4.5 m (15 ft)		6.0 m (20 ft)		7.5 m (25 ft)		Capacity		Reach m (ft)	
6.0 m (20 ft)	kg					*2560	*2560	*1730	*1730			2350	1450	7.07
	lb					*5640	*5640	*3810	*3810			5180	3200	(23.2)
4.5 m (15 ft)	kg					*2760	*2760	*2550	1980			1890	1120	7.86
	lb					*6080	*6080	*5620	4370			4170	2470	(25.8)
3.0 m (10 ft)	kg			*3690	*3690	*3690	3170	3030	1880	*1430	1180	1680	960	8.27
	lb			*8140	*8140	*8140	6990	6680	4140	*3150	2600	3700	2120	(27.1)
1.5 m (5 ft)	kg			*7740	5620	4720	2880	2890	1750	1950	1130	1610	910	8.36
	lb			*17060	12390	10410	6350	6370	3860	4300	2490	3550	2010	(27.4)
Ground Line	kg			*9180	5020	4440	2630	2760	1630	*1830	1080	1660	930	8.14
	lb			*20240	11070	9790	5800	6080	3590	*4030	2380	3660	2050	(26.7)
-1.5 m (-5 ft)	kg	*5380	*5380	*8930	4820	4280	2490	2680	1560			1860	1060	7.59
	lb	*11860	*11860	*19690	10630	9440	5490	5910	3440			4100	2340	(24.9)
-3.0 m (-10 ft)	kg	*7860	*7860	*7790	4830	4250	2460	2680	1560			2380	1400	6.59
	lb	*17330	*17330	*17170	10650	9370	5420	5910	3440			5250	3090	(21.6)
-4.5 m (-15 ft)	kg	*8050	*8050	*5160	5020	*3260	2580							
	lb	*17750	*17750	*11380	11070	*7190	5690							

- Lifting capacity is based on SAE J1097, ISO 10567.
- Lifting capacity of the Robex Series does not exceed 75% of the tipping load with the machine on firm, level ground or 87% of full hydraulic capacity.
- The load point is a hook located on the back of the bucket.
- (*) indicates the load limited by hydraulic capacity.

Lifting Capacities



R145LCR-9A

Rating over-front Rating over-side or 360 degrees

Boom : 4.6 m (15' 1") / Arm : 1.9 m (6' 3") / Bucket : 0.52 m³ (0.68 yd³) SAE heaped / Shoe : 500 mm (20") triple grouser

Load point height m (ft)		Load radius								At max. reach		
		1.5 m (5 ft)		3.0 m (10 ft)		4.5 m (15 ft)		6.0 m (20 ft)		Capacity		Reach m (ft)
6.0 m (20 ft)	kg					*3270	*3270			3710	2160	5.75
	lb					*7210	*7210			8180	4760	(18.9)
4.5 m (15 ft)	kg			*4960	*4960	*4310	3290			2770	1570	6.73
	lb			*10930	*10930	*9500	7250			6110	3460	(22.1)
3.0 m (10 ft)	kg			*7230	6040	*5000	3090	3310	1870	2410	1330	7.22
	lb			*15940	13320	*11020	6810	7300	4120	5310	2930	(23.7)
1.5 m (5 ft)	kg			*9120	5290	5160	2840	3200	1780	2310	1250	7.32
	lb			*20110	11660	11380	6260	7050	3920	5090	2760	(24.0)
Ground Line	kg			*8610	5040	4960	2670	3120	1700	2420	1310	7.06
	lb			*18980	11110	10930	5890	6880	3750	5340	2890	(23.2)
-1.5 m (-5 ft)	kg	*6830	*6830	*8140	5030	4900	2620			2850	1560	6.40
	lb	*15060	*15060	*17950	11090	10800	5780			6280	3440	(21.0)
-3.0 m (-10 ft)	kg			*6010	5170	*4100	2690			*2250	*2250	5.12
	lb			*13250	11400	*9040	5930			*4960	*4960	(16.8)

Boom : 4.6 m (15' 1") / Arm : 2.1 m (6' 11") / Bucket : 0.52 m³ (0.68 yd³) SAE heaped / Shoe : 500 mm (20") triple grouser

Load point height m (ft)		Load radius								At max. reach		
		1.5 m (5 ft)		3.0 m (10 ft)		4.5 m (15 ft)		6.0 m (20 ft)		Capacity		Reach m (ft)
6.0 m (20 ft)	kg					*3440	3370			3490	2030	5.98
	lb					*7580	7430			7690	4480	(19.6)
4.5 m (15 ft)	kg			*4390	*4390	*4140	3310	*2560	1940	2650	1490	6.92
	lb			*9680	*9680	*9130	7300	*5640	4280	5840	3280	(22.7)
3.0 m (10 ft)	kg			*6870	6110	*4840	3100	3310	1880	2310	1260	7.39
	lb			*15150	13470	*10670	6830	7300	4140	5090	2780	(24.2)
1.5 m (5 ft)	kg			*9010	5330	5160	2840	3200	1770	2210	1190	7.49
	lb			*19860	11750	11380	6260	7050	3900	4870	2620	(24.6)
Ground Line	kg			*8870	5000	4940	2650	3100	1690	2310	1240	7.24
	lb			*19550	11020	10890	5840	6830	3730	5090	2730	(23.8)
-1.5 m (-5 ft)	kg	*6560	*6560	*8340	4970	4860	2580	3070	1660	2690	1460	6.60
	lb	*14460	*14460	*18390	10960	10710	5690	6770	3660	5930	3220	(21.7)
-3.0 m (-10 ft)	kg	*9060	*9060	*6360	5090	*4350	2630			*2390	2100	5.38
	lb	*19970	*19970	*14020	11220	*9590	5800			*5270	4630	(17.7)

Boom : 4.6 m (15' 1") / Arm : 2.5 m (8' 2") / Bucket : 0.52 m³ (0.68 yd³) SAE heaped / Shoe : 500 mm (20") triple grouser

Load point height m (ft)		Load radius								At max. reach		
		1.5 m (5 ft)		3.0 m (10 ft)		4.5 m (15 ft)		6.0 m (20 ft)		Capacity		Reach m (ft)
6.0 m (20 ft)	kg					*2960	*2960			*2910	1720	6.50
	lb					*6530	*6530			*6420	3790	(21.3)
4.5 m (15 ft)	kg					*3460	3350	*2670	1960	2360	1300	7.37
	lb					*7630	7390	*5890	4320	5200	2870	(24.2)
3.0 m (10 ft)	kg			*6090	*6090	*4480	3130	3320	1880	2080	1110	7.81
	lb			*13430	*13430	*9880	6900	7320	4140	4590	2450	(25.6)
1.5 m (5 ft)	kg			*8480	5450	5180	2850	3190	1760	2000	1050	7.90
	lb			*18700	12020	11420	6280	7030	3880	4410	2310	(25.9)
Ground Line	kg			*9170	4990	4930	2630	3070	1650	2070	1080	7.67
	lb			*20220	11000	10870	5800	6770	3640	4560	2380	(25.2)
-1.5 m (-5 ft)	kg	*5850	*5850	*8700	4890	4810	2530	3020	1600	2370	1260	7.07
	lb	*12900	*12900	*19180	10780	10600	5580	6660	3530	5220	2780	(23.2)
-3.0 m (-10 ft)	kg	*8930	*8930	*7030	4970	*4770	2550			*2400	1730	5.97
	lb	*19690	*19690	*15500	10960	*10520	5620			*5290	3810	(19.6)
-4.5 m (-15 ft)	kg			*3750	*3750							
	lb			*8270	*8270							

Boom : 4.6 m (15' 1") / Arm : 3.0 m (9' 10") / Bucket : 0.52 m³ (0.68 yd³) SAE heaped / Shoe : 500 mm (20") triple grouser

Load point height m (ft)		Load radius										At max. reach		
		1.5 m (5 ft)		3.0 m (10 ft)		4.5 m (15 ft)		6.0 m (20 ft)		7.5 m (25 ft)		Capacity		Reach m (ft)
6.0 m (20 ft)	kg					*2560	*2560	*1730	*1730			*2600	1470	7.07
	lb					*5640	*5640	*3810	*3810			*5730	3240	(23.2)
4.5 m (15 ft)	kg					*2760	*2760	*2550	2000			2100	1140	7.86
	lb					*6080	*6080	*5620	4410			4630	2510	(25.8)
3.0 m (10 ft)	kg			*3690	*3690	*3690	3210	*3210	1910	*1430	1200	1880	980	8.27
	lb			*8140	*8140	*8140	7080	*7080	4210	*3150	2650	4140	2160	(27.1)
1.5 m (5 ft)	kg			*7740	5690	*5030	2920	3220	1780	*1990	1150	1800	920	8.36
	lb			*17060	12540	*11090	6440	7100	3920	*4390	2540	3970	2030	(27.4)
Ground Line	kg			*9190	5090	4970	2670	3080	1660	*1830	1100	1860	950	8.14
	lb			*20260	11220	10960	5890	6790	3660	*4030	2430	4100	2090	(26.7)
-1.5 m (-5 ft)	kg	*5380	*5380	*9060	4890	4810	2530	3000	1590			2090	1080	7.59
	lb	*11860	*11860	*19970	10780	10600	5580	6610	3510			4610	2380	(24.9)
-3.0 m (-10 ft)	kg	*7860	*7860	*7790	4900	4780	2500	3000	1590			*2460	1420	6.59
	lb	*17330	*17330	*17170	10800	10540	5510	6610	3510			*5420	3130	(21.6)
-4.5 m (-15 ft)	kg	*8050	*8050	*5160	5080	*3260	2620							
	lb	*17750	*17750	*11380	11200	*7190	5780							

- Lifting capacity is based on SAE J1097, ISO 10567.
- Lifting capacity of the Robex Series does not exceed 75% of the tipping load with the machine on firm, level ground or 87% of full hydraulic capacity.
- The load point is a hook located on the back of the bucket.
- (*) indicates the load limited by hydraulic capacity.

Lifting Capacities

R145CR-9A (DOZER TYPE)

Rating over-front Rating over-side or 360 degrees

Boom : 4.6 m (15' 1") / Arm : 1.9 m (6' 3") / Bucket : 0.52 m³ (0.68 yd³) SAE heaped / Shoe : 500 mm (20") triple grouser

Load point height m (ft)	Load radius								At max. reach			
	1.5 m (5 ft)		3.0 m (10 ft)		4.5 m (15 ft)		6.0 m (20 ft)		Capacity		Reach m (ft)	
6.0 m (20 ft)	kg					*3270	*3270			3660	2270	5.75
	lb					*7210	*7210			8070	5000	(18.9)
4.5 m (15 ft)	kg		*4960	*4960	*4310	3440				2750	1660	6.73
	lb		*10930	*10930	*9500	7580				6060	3660	(22.1)
3.0 m (10 ft)	kg		*7230	6310	*5000	3240	3260	1980		2390	1410	7.22
	lb		*15940	13910	*11020	7140	7190	4370		5270	3110	(23.7)
1.5 m (5 ft)	kg		*9120	5560	5040	2990	3160	1890		2290	1330	7.32
	lb		*20110	12260	11110	6590	6970	4170		5050	2930	(24.0)
Ground Line	kg		*8610	5300	4850	2820	3080	1810		2400	1400	7.06
	lb		*18980	11680	10690	6220	6790	3990		5290	3090	(23.2)
-1.5 m (-5 ft)	kg	*6830	*6830	*8140	5300	4790	2770			2820	1660	6.40
	lb	*15060	*15060	*17950	11680	10560	6110			6220	3660	(21.0)
-3.0 m (-10 ft)	kg			*6010	5440	*4100	2840			*2250	*2250	5.12
	lb			*13250	11990	*9040	6260			*4960	*4960	(16.8)

Boom : 4.6 m (15' 1") / Arm : 2.1 m (6' 11") / Bucket : 0.52 m³ (0.68 yd³) SAE heaped / Shoe : 500 mm (20") triple grouser

Load point height m (ft)	Load radius								At max. reach			
	1.5 m (5 ft)		3.0 m (10 ft)		4.5 m (15 ft)		6.0 m (20 ft)		Capacity		Reach m (ft)	
6.0 m (20 ft)	kg					*3440	*3440			3440	2130	5.98
	lb					*7580	*7580			7580	4700	(19.6)
4.5 m (15 ft)	kg		*4390	*4390	*4140	3460	*2560	2040		2620	1580	6.92
	lb		*9680	*9680	*9130	7630	*5640	4500		5780	3480	(22.7)
3.0 m (10 ft)	kg		*6870	6370	*4840	3250	3270	1980		2290	1350	7.39
	lb		*15150	14040	*10670	7170	7210	4370		5050	2980	(24.2)
1.5 m (5 ft)	kg		*9010	5600	5040	2990	3160	1880		2190	1270	7.49
	lb		*19860	12350	11110	6590	6970	4140		4830	2800	(24.6)
Ground Line	kg		*8870	5270	4830	2800	3060	1790		2290	1320	7.24
	lb		*19550	11620	10650	6170	6750	3950		5050	2910	(23.8)
-1.5 m (-5 ft)	kg	*6560	*6560	*8340	5240	4750	2740	3030		2660	1550	6.60
	lb	*14460	*14460	*18390	11550	10470	6040	6680		5860	3420	(21.7)
-3.0 m (-10 ft)	kg	*9060	*9060	*6360	5360	*4350	2790			*2390	2220	5.38
	lb	*19970	*19970	*14020	11820	*9590	6150			*5270	4890	(17.7)

Boom : 4.6 m (15' 1") / Arm : 2.5 m (8' 2") / Bucket : 0.52 m³ (0.68 yd³) SAE heaped / Shoe : 500 mm (20") triple grouser

Load point height m (ft)	Load radius								At max. reach			
	1.5 m (5 ft)		3.0 m (10 ft)		4.5 m (15 ft)		6.0 m (20 ft)		Capacity		Reach m (ft)	
6.0 m (20 ft)	kg					*2960	*2960			*2910	1820	6.50
	lb					*6530	*6530			*6420	4010	(21.3)
4.5 m (15 ft)	kg					*3460	*3460	*2670	2060	2340	1380	7.37
	lb					*7630	*7630	*5890	4540	5160	3040	(24.2)
3.0 m (10 ft)	kg			*6090	*6090	*4480	3280	3270	1980	2070	1190	7.81
	lb			*13430	*13430	*9880	7230	7210	4370	4560	2620	(25.6)
1.5 m (5 ft)	kg			*8480	5720	5060	3000	3150	1860	1980	1120	7.90
	lb			*18700	12610	11160	6610	6940	4100	4370	2470	(25.9)
Ground Line	kg			*9170	5260	4810	2780	3030	1760	2060	1160	7.67
	lb			*20220	11600	10600	6130	6680	3880	4540	2560	(25.2)
-1.5 m (-5 ft)	kg	*5850	*5850	*8700	5160	4700	2680	2980	1710	2350	1340	7.07
	lb	*12900	*12900	*19180	11380	10360	5910	6570	3770	5180	2950	(23.2)
-3.0 m (-10 ft)	kg	*8930	*8930	*7030	5230	4720	2700			*2400	1830	5.97
	lb	*19690	*19690	*15500	11530	10410	5950			*5290	4030	(19.6)
-4.5 m (-15 ft)	kg			*3750	*3750							
	lb			*8270	*8270							

Boom : 4.6 m (15' 1") / Arm : 3.0 m (9' 10") / Bucket : 0.52 m³ (0.68 yd³) SAE heaped / Shoe : 500 mm (20") triple grouser

Load point height m (ft)	Load radius										At max. reach			
	1.5 m (5 ft)		3.0 m (10 ft)		4.5 m (15 ft)		6.0 m (20 ft)		7.5 m (25 ft)		Capacity		Reach m (ft)	
6.0 m (20 ft)	kg					*2560	*2560	*1730	*1730			2570	1560	7.07
	lb					*5640	*5640	*3810	*3810			5670	3440	(23.2)
4.5 m (15 ft)	kg					*2760	*2760	*2550	2110			2090	1220	7.86
	lb					*6080	*6080	*5620	4650			4610	2690	(25.8)
3.0 m (10 ft)	kg			*3690	*3690	*3690	3360	*3210	2020	*1430	1280	1860	1050	8.27
	lb			*8140	*8140	*8140	7410	*7080	4450	*3150	2820	4100	2310	(27.1)
1.5 m (5 ft)	kg			*7740	5950	*5030	3070	3170	1890	*1990	1230	1790	990	8.36
	lb			*17060	13120	*11090	6770	6990	4170	*4390	2710	3950	2180	(27.4)
Ground Line	kg			*9180	5360	4850	2820	3040	1770	*1830	1180	1850	1020	8.14
	lb			*20240	11820	10690	6220	6700	3900	*4030	2600	4080	2250	(26.7)
-1.5 m (-5 ft)	kg	*5380	*5380	*8930	5160	4700	2680	2960	1690			2070	1160	7.59
	lb	*11860	*11860	*19690	11380	10360	5910	6530	3730			4560	2560	(24.9)
-3.0 m (-10 ft)	kg	*7860	*7860	*7790	5170	4670	2650	2960	1690			*2460	1520	6.59
	lb	*17330	*17330	*17170	11400	10300	5840	6530	3730			*5420	3350	(21.6)
-4.5 m (-15 ft)	kg	*8050	*8050	*5160	*5160	*3260	2770							
	lb	*17750	*17750	*11380	*11380	*7190	6110							

- Lifting capacity is based on SAE J1097, ISO 10567.
- Lifting capacity of the Robex Series does not exceed 75% of the tipping load with the machine on firm, level ground or 87% of full hydraulic capacity.
- The load point is a hook located on the back of the bucket.
- (*) indicates the load limited by hydraulic capacity.

Lifting Capacities



R145LCR-9A (DOZER TYPE)

Rating over-front Rating over-side or 360 degrees

Boom : 4.6 m (15' 1") / Arm : 1.9 m (6' 3") / Bucket : 0.52 m³ (0.68 yd³) SAE heaped / Shoe : 500 mm (20") triple grouser

Load point height m (ft)	Load radius								At max. reach			
	1.5 m (5 ft)		3.0 m (10 ft)		4.5 m (15 ft)		6.0 m (20 ft)		Capacity		Reach m (ft)	
6.0 m (20 ft)	kg					*3270	*3270			*3720	2300	5.75
	lb					*7210	*7210			*8200	5070	(18.9)
4.5 m (15 ft)	kg			*4960	*4960	*4310	3480			2960	1680	6.73
	lb			*10930	*10930	*9500	7670			6530	3700	(22.1)
3.0 m (10 ft)	kg			*7230	6370	*5000	3280	3530	2000	2580	1430	7.22
	lb			*15940	14040	*11020	7230	7780	4410	5690	3150	(23.7)
1.5 m (5 ft)	kg			*9120	5630	5490	3030	3430	1910	2480	1360	7.32
	lb			*20110	12410	12100	6680	7560	4210	5470	3000	(24.0)
Ground Line	kg			*8610	5370	5300	2860	3340	1840	2600	1420	7.06
	lb			*18980	11840	11680	6310	7360	4060	5730	3130	(23.2)
-1.5 m (-5 ft)	kg	*6830	*6830	*8140	5370	5240	2810			3050	1680	6.40
	lb	*15060	*15060	*17950	11840	11550	6190			6720	3700	(21.0)
-3.0 m (-10 ft)	kg			*6010	5510	*4100	2880			*2250	*2250	5.12
	lb			*13250	12150	*9040	6350			*4960	*4960	(16.8)

Boom : 4.6 m (15' 1") / Arm : 2.1 m (6' 11") / Bucket : 0.52 m³ (0.68 yd³) SAE heaped / Shoe : 500 mm (20") triple grouser

Load point height m (ft)	Load radius								At max. reach			
	1.5 m (5 ft)		3.0 m (10 ft)		4.5 m (15 ft)		6.0 m (20 ft)		Capacity		Reach m (ft)	
6.0 m (20 ft)	kg					*3440	*3440			*3550	2160	5.98
	lb					*7580	*7580			*7830	4760	(19.6)
4.5 m (15 ft)	kg			*4390	*4390	*4140	3500	*2560	2070	2830	1600	6.92
	lb			*9680	*9680	*9130	7720	*5640	4560	6240	3530	(22.7)
3.0 m (10 ft)	kg			*6870	6440	*4840	3290	3530	2010	2480	1370	7.39
	lb			*15150	14200	*10670	7250	7780	4430	5470	3020	(24.2)
1.5 m (5 ft)	kg			*9010	5670	5490	3030	3420	1900	2380	1290	7.49
	lb			*19860	12500	12100	6680	7540	4190	5250	2840	(24.6)
Ground Line	kg			*8870	5340	5280	2840	3320	1820	2480	1340	7.24
	lb			*19550	11770	11640	6260	7320	4010	5470	2950	(23.8)
-1.5 m (-5 ft)	kg	*6560	*6560	*8340	5310	5200	2770	3290	1790	2880	1580	6.60
	lb	*14460	*14460	*18390	11710	11460	6110	7250	3950	6350	3480	(21.7)
-3.0 m (-10 ft)	kg	*9060	*9060	*6360	5430	*4350	2820			*2390	2250	5.38
	lb	*19970	*19970	*14020	11970	*9590	6220			*5270	4960	(17.7)

Boom : 4.6 m (15' 1") / Arm : 2.5 m (8' 2") / Bucket : 0.52 m³ (0.68 yd³) SAE heaped / Shoe : 500 mm (20") triple grouser

Load point height m (ft)	Load radius								At max. reach			
	1.5 m (5 ft)		3.0 m (10 ft)		4.5 m (15 ft)		6.0 m (20 ft)		Capacity		Reach m (ft)	
6.0 m (20 ft)	kg					*2960	*2960			*2910	1840	6.50
	lb					*6530	*6530			*6420	4060	(21.3)
4.5 m (15 ft)	kg					*3460	*3460	*2670	2090	2530	1400	7.37
	lb					*7630	*7630	*5890	4610	5580	3090	(24.2)
3.0 m (10 ft)	kg			*6090	*6090	*4480	3320	3540	2010	2240	1210	7.81
	lb			*13430	*13430	*9880	7320	7800	4430	4940	2670	(25.6)
1.5 m (5 ft)	kg			*8480	5780	*5360	3040	3410	1890	2150	1140	7.90
	lb			*18700	12740	*11820	6700	7520	4170	4740	2510	(25.9)
Ground Line	kg			*9170	5330	5260	2820	3300	1790	2230	1180	7.67
	lb			*20220	11750	11600	6220	7280	3950	4920	2600	(25.2)
-1.5 m (-5 ft)	kg	*5850	*5850	*8700	5230	5150	2720	3240	1740	2550	1370	7.07
	lb	*12900	*12900	*19180	11530	11350	6000	7140	3840	5620	3020	(23.2)
-3.0 m (-10 ft)	kg	*8930	*8930	*7030	5300	*4770	2740			*2400	1860	5.97
	lb	*19690	*19690	*15500	11680	*10520	6040			*5290	4100	(19.6)
-4.5 m (-15 ft)	kg			*3750	*3750							
	lb			*8270	*8270							

Boom : 4.6 m (15' 1") / Arm : 3.0 m (9' 10") / Bucket : 0.52 m³ (0.68 yd³) SAE heaped / Shoe : 500 mm (20") triple grouser

Load point height m (ft)	Load radius										At max. reach			
	1.5 m (5 ft)		3.0 m (10 ft)		4.5 m (15 ft)		6.0 m (20 ft)		7.5 m (25 ft)		Capacity		Reach m (ft)	
6.0 m (20 ft)	kg					*2560	*2560	*1730	*1730			*2600	1580	7.07
	lb					*5640	*5640	*3810	*3810			*5730	3480	(23.2)
4.5 m (15 ft)	kg					*2760	*2760	*2550	2140			2260	1240	7.86
	lb					*6080	*6080	*5620	4720			4980	2730	(25.8)
3.0 m (10 ft)	kg			*3690	*3690	*3690	3400	*3210	2040	*1430	1300	2020	1070	8.27
	lb			*8140	*8140	*8140	7500	*7080	4500	*3150	2870	4450	2360	(27.1)
1.5 m (5 ft)	kg			*7740	6020	*5030	3110	3440	1910	*1990	1250	1950	1010	8.36
	lb			*17060	13270	*11090	6860	7580	4210	*4390	2760	4300	2230	(27.4)
Ground Line	kg			*9190	5430	5310	2860	3300	1790	*1830	1200	2010	1040	8.14
	lb			*20260	11970	11710	6310	7280	3950	*4030	2650	4430	2290	(26.7)
-1.5 m (-5 ft)	kg	*5380	*5380	*9060	5220	5140	2720	3220	1720			2250	1180	7.59
	lb	*11860	*11860	*19970	11510	11330	6000	7100	3790			4960	2600	(24.9)
-3.0 m (-10 ft)	kg	*7860	*7860	*7790	5240	5120	2690	3220	1720			*2460	1540	6.59
	lb	*17330	*17330	*17170	11550	11290	5930	7100	3790			*5420	3400	(21.6)
-4.5 m (-15 ft)	kg	*8050	*8050	*5160	*5160	*3260	2810							
	lb	*17750	*17750	*11380	*11380	*7190	6190							


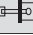

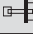

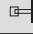
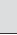
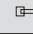
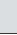
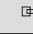
- Lifting capacity is based on SAE J1097, ISO 10567.
- Lifting capacity of the Robex Series does not exceed 75% of the tipping load with the machine on firm, level ground or 87% of full hydraulic capacity.
- The load point is a hook located on the back of the bucket.
- (*) indicates the load limited by hydraulic capacity.

Lifting Capacities


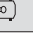
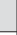

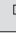







R145CR-9A ADJUSTABLE BOOM

 Rating over-front  Rating over-side or 360 degrees

Boom : 4.9 m (16' 1") / Arm : 2.1 m (6' 11") / Bucket : 0.52 m³ (0.68 yd³) SAE heaped / Shoe : 500 mm (20") triple grouser

Load point height m (ft)	Load radius								At max. reach			
	1.5 m (5 ft)		3.0 m (10 ft)		4.5 m (15 ft)		6.0 m (20 ft)		Capacity		Reach m (ft)	
												
6.0 m (20 ft)	kg *3440	lb *3440	kg *3680	lb *3680	kg *3490	lb 3410				kg 3050	lb 1730	6.46 (21.2)
4.5 m (15 ft)	kg *3330	lb *7340	kg *4400	lb *9700	kg *3800	lb 7280	kg *3400	lb 1940	kg 2380	lb 5250	kg 1300	7.33 (24.0)
3.0 m (10 ft)	kg *	lb *	kg *6780	lb 14950	kg 5910	lb 13030	kg *4560	lb *10050	kg 3030	lb 6680	kg 2100	1110 (25.5)
1.5 m (5 ft)	kg *	lb *	kg 5080	lb 11200	kg 2740	lb 6040	kg 3170	lb 6990	kg 1720	lb 3790	kg 2010	1050 (25.8)
Ground Line	kg *	lb *	kg *5890	lb 12990	kg 4860	lb 10690	kg 2550	lb 5620	kg 3060	lb 6750	kg 2100	1090 (25.0)
-1.5 m (-5 ft)	kg *	lb *	kg *8270	lb 18230	kg 4820	lb 10630	kg 4790	lb 10560	kg 2490	lb 5490	kg 3020	1590 (6660)

Boom : 4.9 m (16' 1") / Arm : 2.5 m (8' 2") / Bucket : 0.52 m³ (0.68 yd³) SAE heaped / Shoe : 500 mm (20") triple grouser

Load point height m (ft)	Load radius										At max. reach		
	1.5 m (5.0 ft)		3.0 m (10.0 ft)		4.5 m (15.0 ft)		6.0 m (20.0 ft)		7.5 m (25.0 ft)		Capacity		Reach m (ft)
													
6.0 m (20.0 ft)	kg *2580	lb *5690	kg *2970	lb *6550	kg *3100	lb *6830	kg *3100	lb *4520	kg *2050	lb 4340	kg 2660	lb 1480	6.96 (22.8)
4.5 m (15.0 ft)	kg *2210	lb *4870	kg *3110	lb *6860	kg *3430	lb *7360	kg *3140	lb *6920	kg 1960	lb 4320	kg 2130	lb 2510	7.77 (25.5)
3.0 m (10.0 ft)	kg *	lb *	kg *6010	lb *13250	kg *4220	lb *9300	kg 3070	lb 6770	kg 3310	lb 7300	kg 1900	lb 2140	8.18 (26.8)
1.5 m (5.0 ft)	kg *	lb *	kg *7630	lb *16820	kg 5190	lb 11440	kg 2760	lb 6080	kg 3160	lb 6970	kg 1710	lb 2030	8.27 (27.1)
Ground Line	kg *	lb *	kg *6220	lb *13710	kg 4780	lb 10540	kg 2530	lb 5580	kg 3030	lb 6680	kg 1890	lb 2090	8.05 (26.4)
-1.5 m (-5.0 ft)	kg *	lb *	kg *8430	lb *18580	kg 4720	lb 10410	kg 2430	lb 5360	kg 2970	lb 6550	kg 1540	lb 2400	7.49 (24.6)
-3.0 m (-10.0 ft)	kg *	lb *	kg 4760	lb 10490	kg 2450	lb 5400					kg 4700	lb 2400	

- Lifting capacity is based on SAE J1097, ISO 10567.
- Lifting capacity of the Robex Series does not exceed 75% of the tipping load with the machine on firm, level ground or 87% of full hydraulic capacity.
- The load point is a hook located on the back of the bucket.
- (*) indicates the load limited by hydraulic capacity.

Lifting Capacities



R145LCR-9A ADJUSTABLE BOOM (DOZER TYPE)

Rating over-front Rating over-side or 360 degrees

Boom : 4.9 m (16' 1") / Arm : 2.1 m (6' 11") / Bucket : 0.52 m³ (0.68 yd³) SAE heaped / Shoe : 500 mm (20") triple grouser

Load point height m (ft)		Load radius								At max. reach		
		1.5 m (5 ft)		3.0 m (10 ft)		4.5 m (15 ft)		6.0 m (20 ft)		Capacity		Reach m (ft)
6.0 m (20 ft)	kg	*3440	*3440	*3680	*3680	*3490	*3490			*3150	1860	6.46
	lb	*7580	*7580	*8110	*8110	*7690	*7690			*6940	4100	(21.2)
4.5 m (15 ft)	kg	*3330	*3330	*4400	*4400	*3800	3490	*3400	2070	2620	1410	7.33
	lb	*7340	*7340	*9700	*9700	*8380	7690	*7500	4560	5780	3110	(24.0)
3.0 m (10 ft)	kg			*6780	6240	*4560	3220	3610	1980	2320	1210	7.77
	lb			*14950	13760	*10050	7100	7960	4370	5110	2670	(25.5)
1.5 m (5 ft)	kg					*5380	2930	3470	1850	2230	1140	7.87
	lb					*11860	6460	7650	4080	4920	2510	(25.8)
Ground Line	kg			*5890	5150	5320	2740	3360	1760	2320	1190	7.63
	lb			*12990	11350	11730	6040	7410	3880	5110	2620	(25.0)
-1.5 m (-5 ft)	kg			*8270	5160	5250	2680	3320				
	lb			*18230	11380	11570	5910	7320	3790			

Boom : 4.9 m (16' 1") / Arm : 2.5 m (8' 2") / Bucket : 0.52 m³ (0.68 yd³) SAE heaped / Shoe : 500 mm (20") triple grouser

Load point height m (ft)		Load radius										At max. reach		
		1.5 m (5.0 ft)		3.0 m (10.0 ft)		4.5 m (15.0 ft)		6.0 m (20.0 ft)		7.5 m (25.0 ft)		Capacity		Reach m (ft)
6.0 m (20.0 ft)	kg	*2580	*2580	*2970	*2970	*3100	*3100	*2050	*2050			*2890	1590	6.96
	lb	*5690	*5690	*6550	*6550	*6830	*6830	*4520	*4520			*6370	3510	(22.8)
4.5 m (15.0 ft)	kg	*2210	*2210	*3110	*3110	*3430	*3430	*3140	2090			2350	1240	7.77
	lb	*4870	*4870	*6860	*6860	*7560	*7560	*6920	4610			5180	2730	(25.5)
3.0 m (10.0 ft)	kg			*6010	*6010	*4220	3260	*3450	1980			2100	1070	8.18
	lb			*13250	*13250	*9300	7190	*7610	4370			4630	2360	(26.8)
1.5 m (5.0 ft)	kg			*7630	5520	*5120	2950	3460	1840	*2330	1210	2020	1010	8.27
	lb			*16820	12170	*11290	6500	7630	4060	*5140	2670	4450	2230	(27.1)
Ground Line	kg			*6220	5120	5300	2720	3330	1730			2090	1040	8.05
	lb			*13710	11290	11680	6000	7340	3810			4610	2290	(26.4)
-1.5 m (-5.0 ft)	kg			*8430	5060	5190	2620	3270	1670			2360	1190	7.49
	lb			*18580	11160	11440	5780	7210	3680			5200	2620	(24.6)
-3.0 m (-10.0 ft)	kg					*5000	2640							
	lb					*11020	5820							

- Lifting capacity is based on SAE J1097, ISO 10567.
- Lifting capacity of the Robex Series does not exceed 75% of the tipping load with the machine on firm, level ground or 87% of full hydraulic capacity.
- The load point is a hook located on the back of the bucket.
- (*) indicates the load limited by hydraulic capacity.

STANDARD EQUIPMENT R145LCR-9A

ISO Standard cabin

All-weather steel cab with 360° visibility
 Safety glass windows
 Rise-up type windshield wiper
 Sliding fold-in front window
 Sliding side window (LH)
 One key fits all lockable doors
 Hot & cool box
 Storage compartment & Ashtray
 Transparent cabin roof-cover
 Radio / MP3 Player with remote control and USB-input
 Handsfree mobile phone system with USB-charging device,
 12 volt power outlet (24V DC to 12V DC converter)
 Sun visor

Cabin ROPS (ISO 12117-2)

ROPS (Roll Over Protective Structure)
 Computer aided power optimization (CAPO) system

3-power modes, 2-work modes, User mode
 Auto & one-touch deceleration system
 Auto warm-up system
 Auto Overheat prevention system

Automatic temperature control

Air conditioner & heater
 Defroster

Self-diagnostics system

Starting Aid (air grid heater) for cold weather

Centralized monitoring

LCD display
 Engine speed or Trip meter/Accel.
 Clock
 Gauges
 - Fuel level gauge
 - Engine coolant temperature gauge
 - Hyd. oil temperature gauge
 Warning lamps
 - Engine warning
 - Overload
 - Communication error
 - Low battery
 - Air filter clogging
 Indicators
 - Max power
 - Low speed/High speed
 - Fuel warmer
 - Auto deceleration

Three outside rearview mirrors

Mechanical suspension seat with heater

Adjustable joysticks

Console box tilting system

Four frontal working lights

Electric horn

Batteries (2 x 12V x 100 AH)

Battery master switch

Removable clean-out screen for cooler

Automatic swing brake

Removable reservoir tank

Fuel pre-filter

Boom holding system

Arm holding system

Track shoes (500 mm; 20")

Track rail guard

Accumulator for lowering work equipment

Electric transducer

Lower frame under cover

Viscous fan clutch

OPTIONAL EQUIPMENT R145LCR-9A

Fuel filler pump (35 ℓ/min)

Beacon lamp

Safety lock valve for boom cylinder with overload warning device

Safety lock valve for arm cylinder

Single-acting piping kit (breaker, etc.)

Double-acting piping kit (clamshell, etc.)

Quick coupler

Travel alarm

Booms

4.6 m; 15' 1"

4.9 m; 16' 1" (Hyd. adjustable boom)

Arms

1.9 m; 6' 3"

2.1 m; 6' 11"

2.5 m; 8' 2"

3.0 m; 9' 10"

Cabin FOPS/FOG (ISO/DIS 10262 Level II)

FOPS (Falling Object Protective Structure)

FOG (Falling Object Guard)

Cabin lights

Cabin rain guard - front window

Track shoes

Triple grousers shoe (500mm; 20")

Triple grousers shoe (600mm; 24")

Triple grousers shoe (700mm; 28")

Rubber pad (600mm; 24")

Additional lower frame - reinforced under cover

Long crawler lower frame

Dozer blade

Tool kit

Rearview camera

Pattern change valve (2 patterns)

Hi-mate (Remote Management System)

- * Standard and optional equipment may vary. Contact your Hyundai dealer for more information. The machine may vary according to international standards.
- * The photos may include attachments and optional equipment that are not available in your area.
- * Materials and specifications are subject to change without advance notice.
- * All imperial measurements rounded off to the nearest pound or inch.

PLEASE CONTACT

 **HYUNDAI**
 HEAVY INDUSTRIES EUROPE
CONSTRUCTION EQUIPMENT